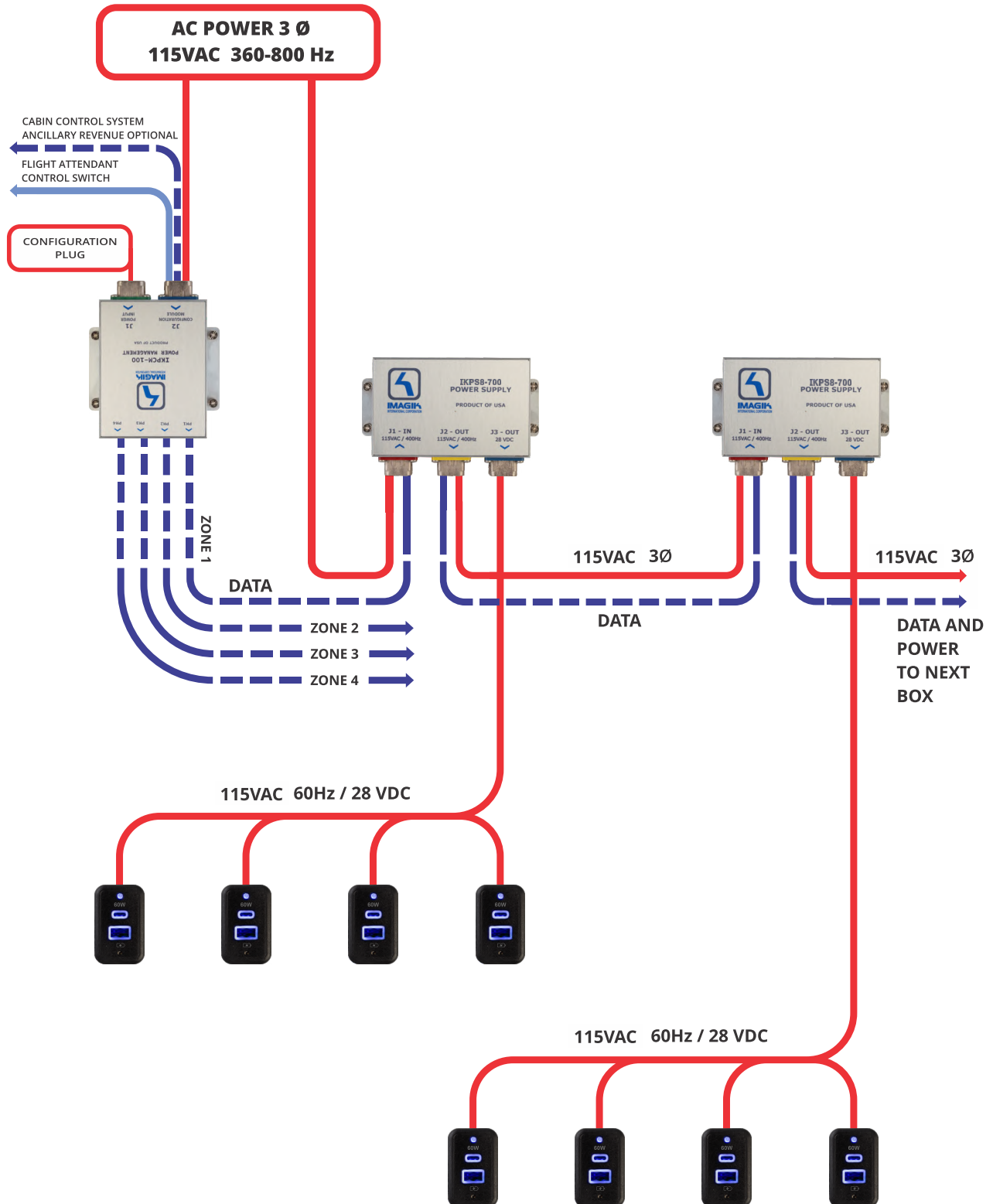


QUATRO + PD

USB Type A + PD In Seat Power Systems



USB Type A + PD In Seat Power Systems

Power Supply IKPS8-700	
Power Input Requirement (Typical)	115VAC Single Phase, 360Hz-800Hz
3 Phase Input , 3 Phase Output	Up to 15 Units can Daisy Chain
Input Inrush Current	Active limiter and auto sequential power up
Ultra-Quiet EMI Signature	Uses unshielded cables
Efficiency (Typical)	> 96%
Power Factor Correction	> 0.98
Output Voltage per Outlet (Typical)	115VAC/60Hz, 28VDC
Number of Outputs	4
Maximum Total Power	200VA
Type of Outputs	4 DC 28V
Built-in Metering	Active, Reactive and Apparent Power RMS Voltage and Current, Input and Output Power Factor and Line Frequency Instant Voltage Current and Power Input Phase recognition
Cooling Requirements	Passive Cooling
Communication	RS-485
Remote On/Off	Discrete input for flight crew control
Protections	Over Current Protection with auto recovery Short Circuit Protection with auto recovery Over Temperature Protection with auto recovery Under Performance Protection
Weight (Typical)	400 grams
Size	2.95" L x 4.37" W x 1.28" D / 75 mm L x 111 mm w x 32.50 mm D (40% smaller than existing systems)
Certifications	RTCA / DO160 G
Outlet IKUSBPD-700	
US Patent No.	9,914,548
Patented Power Management	iPD (intelligent Power Delivery)
Maximum Total Power	75 W
Connectors	1 Type C (60W) 1 Reversible USB Type A
Efficiency (Typical)	> 96%
DC Breaker	Built-in
Communication	1 Wire Bidirectional
Protections	Over Current Protection Short Circuit Protection Over Temperature Protection
Illumination	LED Lighted
Compliance:	USB 3.0 Compliant BC1.2 Support Shorted Mode per BC1.2 and YD/T 2.7-V Divider 3 Mode 1.2-V Mode
Weight (Typical)	45 grams
Size	2.26" L x 1.40" W x 1.09" D / 57.4 mm L x 36 mm w x 28 mm D
Certifications	RTCA / DO160 G
Power Controller Module IKPCM-100	
Power Input Requirement (Typical)	115VAC Single Phase, 360Hz-800Hz
Efficiency (Typical)	> 87%
Power Factor Correction	> 0.97
Number of Outputs	4
Output	28VDC, RS-485, Key lines
Communication	RS-485
Remote On/Off	Discrete input for flight crew control
Programmable Configuration Plug	Maximum Power available per Phase
Weight (Typical)	285 grams
Size	3.89" L x 4.26" W x 1.32" D / 99 mm L x 108 mm W x 34 mm D
Certifications	RTCA / DO160 G